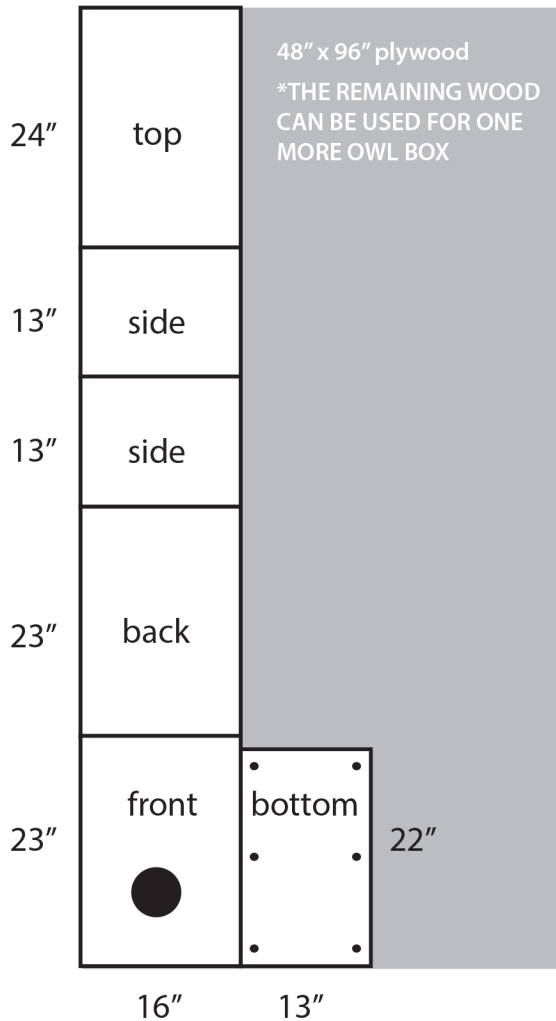




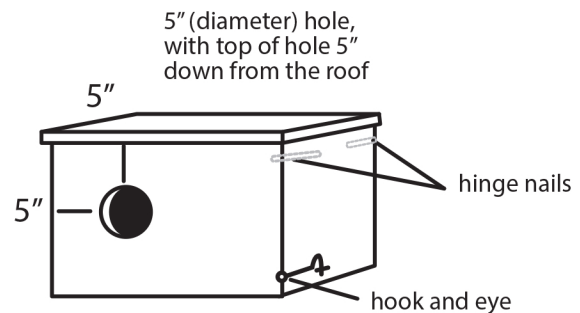
# Build an Barn Owl Nest Box

## GUIDE FOR CUTTING PIECES



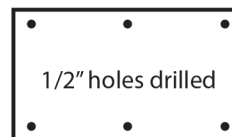
## Supplies you will need:

- 1 sheet- 4' x 8' x 1/2" exterior grade plywood or siding
- Two 6d or 8d nails.
- 30-40 1 1/2" wood screws.
- 2" hook and eye closure.
- mounting hardware depending on mounting method



\*roof slightly larger to provide slight overhang on all sides

### bottom view



## Instructions

- If under 18 years of age make sure to get adult supervision and help in building your nest box, especially with the use of power tools.
- Cut lumber using a table saw or circular saw and entrance hole using a hole saw or jig saw.
- Assemble box as shown, with wood screws. Nail two 6d or 8d nails parallel at top of opening side, so that it swings open. Attach hook and eye at bottom of hinged side to keep it closed.
- Do not use paint or preservatives.
- Box can be mounted with pipe clamps to a fixed metal pole or hung with chain from a sturdy branch
- Place 2" of wood shavings in the bottom of the box for bedding.
- Mount box at least 6 feet off the ground. Be sure to have someone help you and be very careful using a ladder or climbing a tree to mount the box.
- Install nest box by late February, before the breeding season.